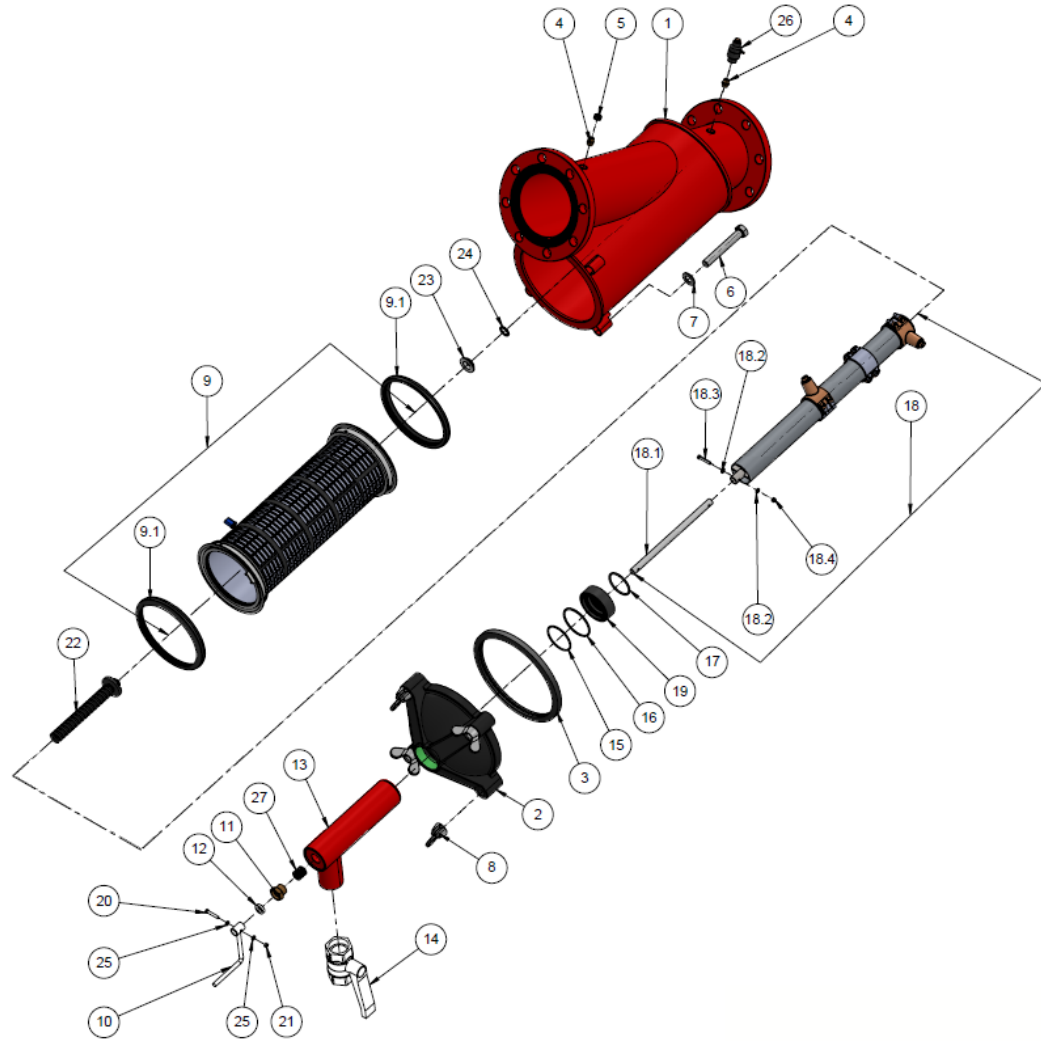


6" C Scanaway Filter In-Line ISO-16 RED 130Mic



BOM Table(Restructured)				
ITEM NO.	CAT. NO.	DESCRIPTION	QTY.	MATERIAL
1	710105-000196	6"Metal Housing JAD PKPK 3002	1	ST 37-2
2	710103-000780	Polyester Lid 4"-14" ,Threads 2.5"-	1	PE-100
3	770104-000089	Hydraulic Seal AM-07 (Polyester Lid)	1	NBR
4	710103-000591	Pressure Check Point Connector 1/4"X1/4"	2	Brass
5	700190-001305	Pressure Check Point Plastic W/O Nipple	1	Various
6	760101-000297	Hex.Bolt 3/4"UNC	4	Z.Plated C/ST
7	760103-000070	Flat Washer M20 DIN125 Zinc Plated C/ST	4	Z.Plated C/ST
8	760102-000076	NUT WING TYPE A 3/4"UNC M/S GALV	4	Z.Plated C/ST
9	700101-000489	MOLDED ST316 2740SQ.CM SCR130MIC F/6"MT	1	Various
9.1	770104-000080	Hydraulic Seal AM-05 EPDM	2	EPDM
10	710102-000057	Operating Handle (2"-4")	1	S/ST 316L
11	710103-000740	Tightening Nut (4"S-14"BRUSH)	1	Brass
12	710103-000739	Plastic Bushing (4"S-14")	1	Delrin
13	710105-000304	Scanaway T Connector 4"-14" BSPT PKPK3002	1	ST 37-2
14	730104-000265	Ball Valve 2" F/F Nickel Coated	1	NICKEL COATED
15	770102-000121	O-Ring 2-232	1	NBR
16	770102-000124	O-Ring Seal P2-235 (Actuator Housing) NBR	1	NBR
17	770101-000040	O-Ring 60X4 Flushing Chamber NBR	1	NBR
18	700190-001442	Suction Scanner 4"S/6"C	1	Various
18.1	710103-000770	Rod 8"MTL S.Auto Scanner Shaft	1	S/ST 316
18.2	760103-000094	Flat Washer M6 DIN125 S/ST316	2	S/ST 316
18.3	760101-000447	Hex Bolt Full Thread M6x35 DIN933 S/St 304	1	S/ST 304
18.4	760102-000101	Nylon Insert Lock Nut M6 S/ST304 DIN985	1	S/ST 304
19	710103-000778	Seal 8"MTL S.AUTO	1	Delrin
20	760101-000447	Hex Bolt Full Thread M6x35 DIN933 S/St 304	1	S/ST 304
21	760102-000085	Hex Nut M6 DIN934	1	S/ST 316
22	710103-000776	Drive Bolt 4"-14" 8"MTL S.Auto	1	Delrin
23	780101-000975	Nut 3/4"BSP Plastic	1	PP
24	710101-000974	UNION NUT CLIP	1	PBT
25	760103-000094	Flat Washer M6 DIN125 S/ST316	2	S/ST 316
26	700190-001245	Clogging Indicator Assembly 1/4"BSP	1	Various
27	700190-001363	Seiling Rope 4mm L1779	0.22	Silicon