

## INSTRUCTIONS

### INTRODUCTION

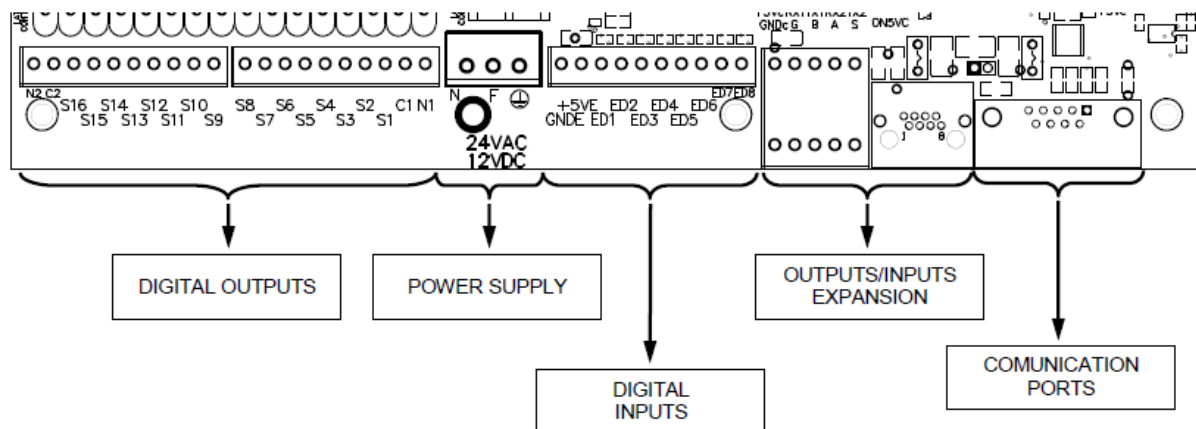
Due to its features, the **GULF 650-850 RANGE** of irrigation controllers are some of the most versatile machines on the market. They are capable of controlling as many as three irrigation systems simultaneously while supplying as many as 9 fertilisers through each of them.

### INSTALLATION

The **GULF 650-850 RANGE** can be powered from an external 12V DC or 24V AC supply. These units need to be panel mounted into a steel enclosure, providing a safe environment to install additional components such as power supplies, modems and other accessories.

### CONNECTIONS

Using a small number 1 common screwdriver, insert the wiring as needed, into the supplied connectors.



### PRGRAMMING

Because of the multitude of functionality and applications of this controller it is not advised to setup this controller without the advice and guidance of an Agriplas automation technician. Hands on training is advised, especially for first time customers or customers new to this product.

Technicians can be contacted on the following numbers between  
 07:30 – 16:30 Monday to Thursday  
 07:30 – 16:00 Friday  
 Closed on weekends.

Agriplas Centurion	:	012 661 0340
Agriplas Cape Town	:	021 949 8581
Agriplas Nelspruit	:	013 755 3510